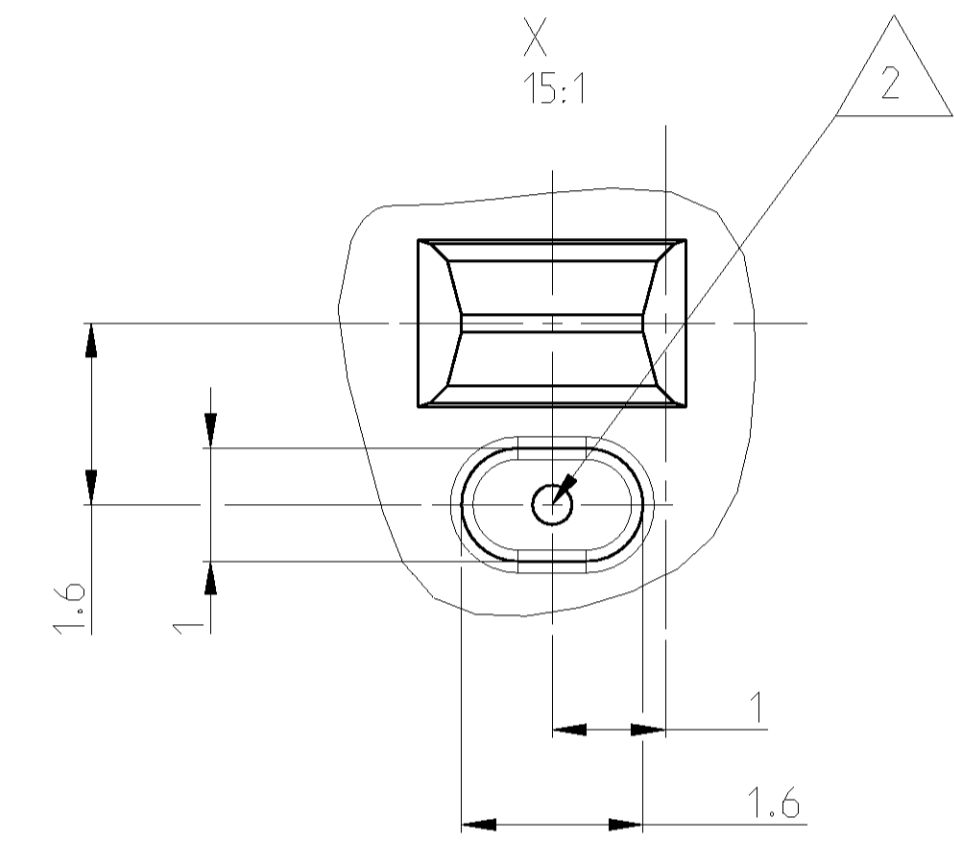
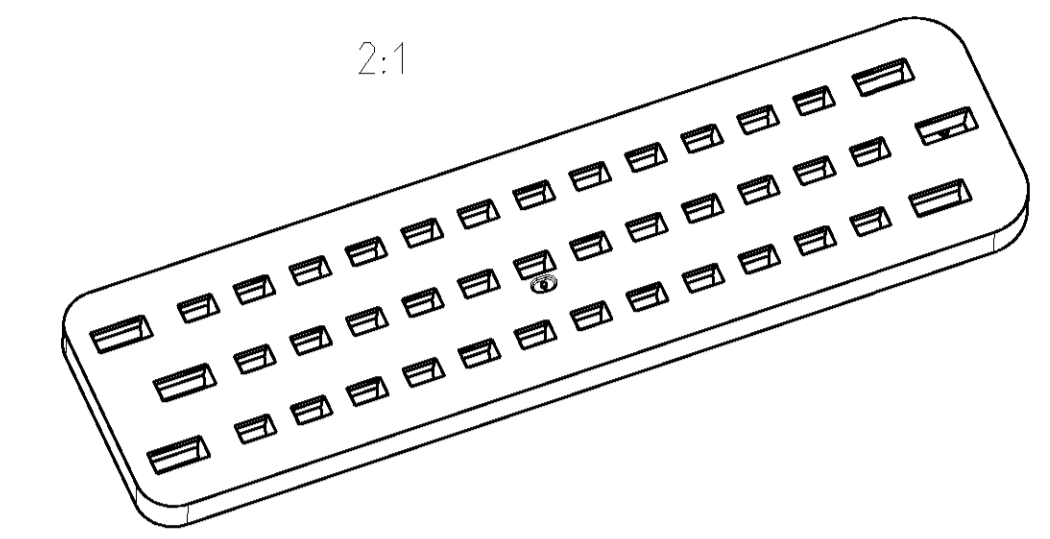
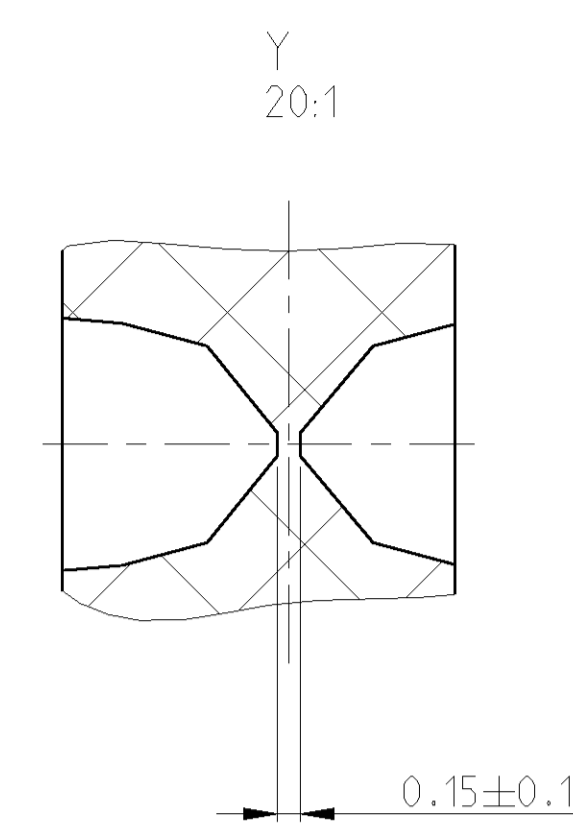
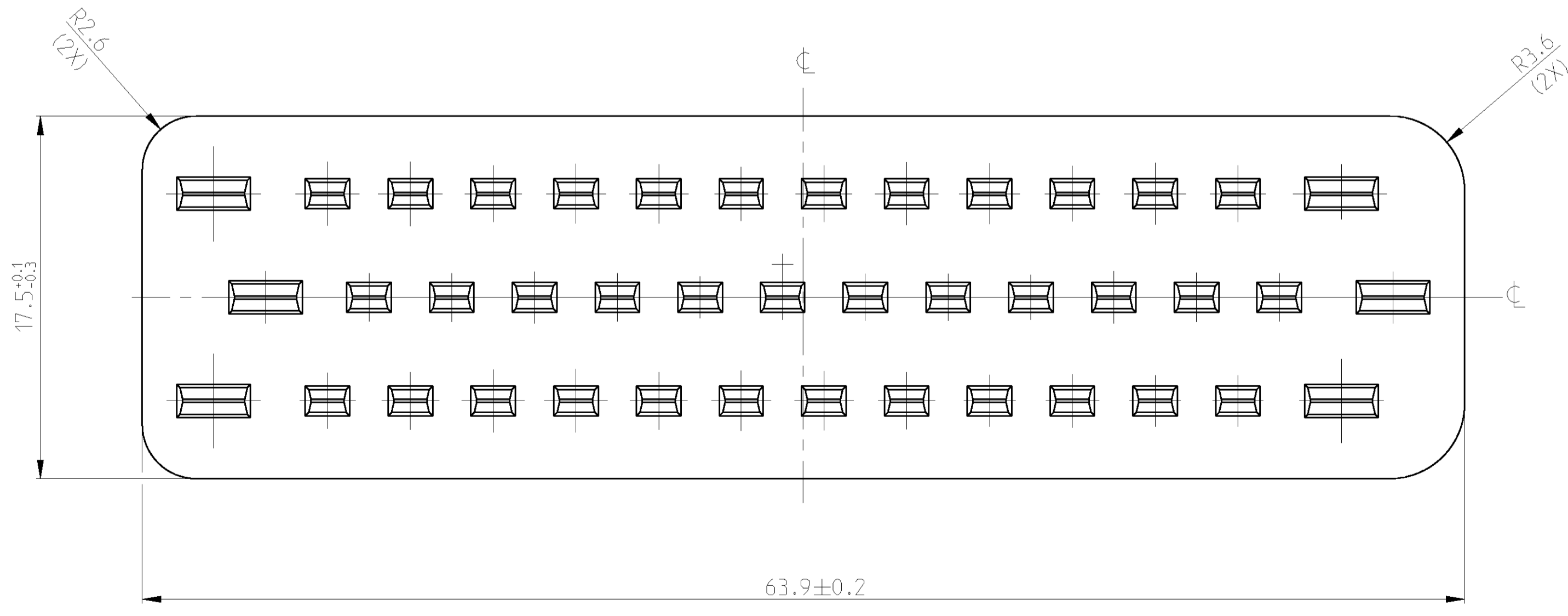
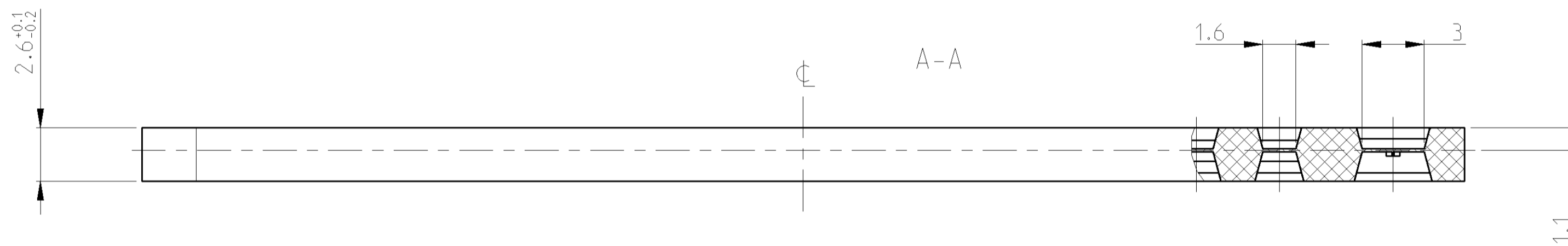
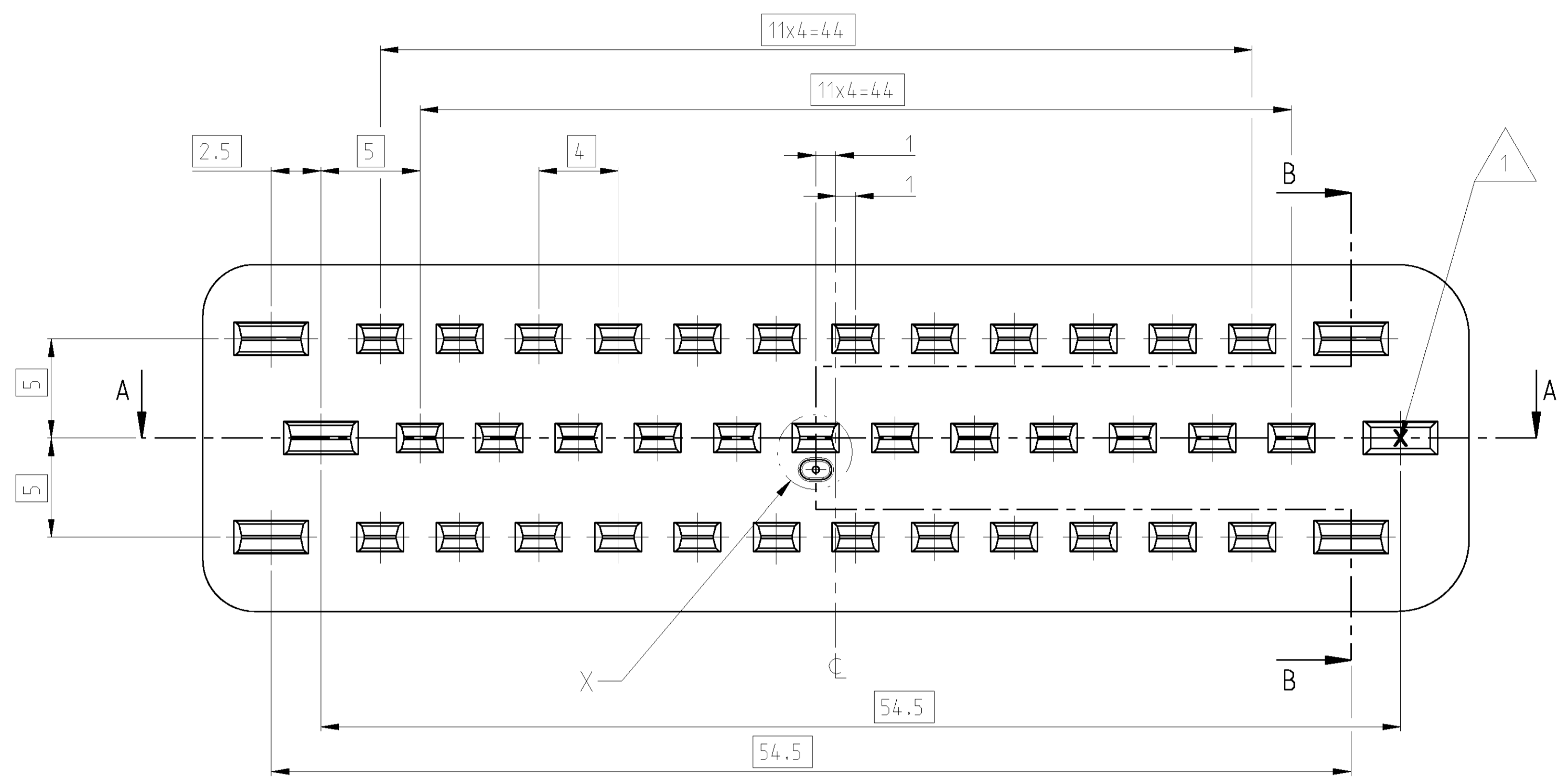
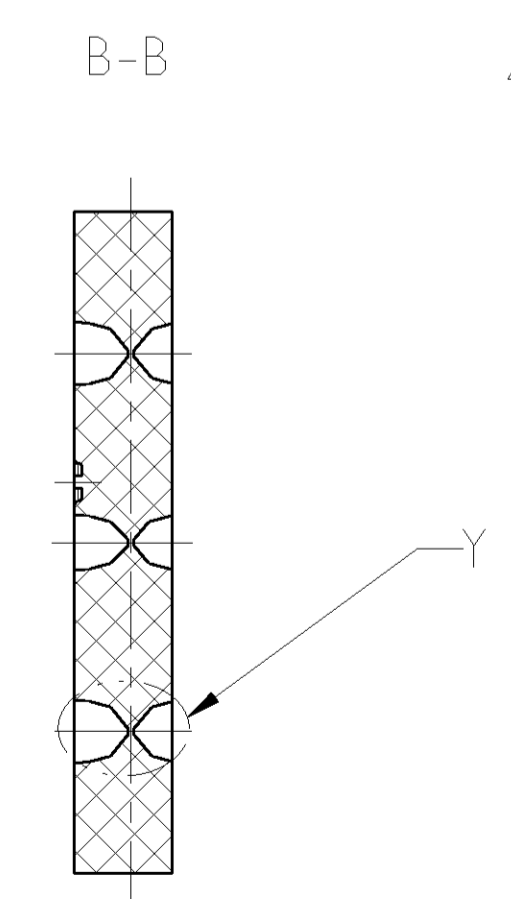


REV. LTR		DESCRIPTION	DATE	DRN	APVD
D		SEE E-06-017312	04.JUL.2006	LN	TK



NOTES
Bemerkungen

- 1 CAVITY MARKING RAISED, OPTIONAL
IN ONE OF THE WINDOWS
Nestmarkierung erhaben, wahlweise
in einem der Fenster
- 2 GATE AREA SUNK
GATEMARK MUST NOT GET THROUGH OUTER GEOMETRY
Angussbereich vertieft
Anguss darf nicht aus der aeusseren
Geometrie ueberstehen



963225-1	D	SEALING	NATURE	2.89	1
PART NO	REV	DESCRIPTION	COLOR	WEIGHT (g)	ITEM NO

DIMENSIONS:		TOLERANCES UNLESS OTHERWISE SPECIFIED:		DWG: 04.JUL.2006		APVD: 18.JUL.2006		NAME: T. Nguyen		tyco Electronics		tyco Electronics AMP GmbH	
mm		0 PLC ± 0.2		1 PLC ± 0.2		2 PLC ± 0.2		3 PLC ± 0.2		4 PLC ± 0.2		64625 Bensheim (Germany)	
MATERIAL: SILICONE		FINISH: -		WEIGHT: -		CUSTOMER DRAWING		SCALE: 5:1		SHEET: 1 OF 1		REV: D	